



Process Sealed Surface Mount Miniature Pushbutton

Specifications

Switch Function	SPST, SPDT	Dielectric Strength	1000Vrms min
Electrical Ratings	1A @ 250VAC, General Purpose 3A @ 120VAC, General Purpose see Contact Options	Insulation Resistance	≥ 100MΩ min
		Operating Temperature	-40°C to 85°C
		Storage Temperature	-40°C to 85°C
Electrical Life	55,000 cycles typical	Packaging	500 pieces per reel
Contact Resistance	≤ 50mΩ initial	Sealing Degree	IP67

Materials

Actuator	Thermoplastic Polyester, UL94V-0
Housing	6/6 Nylon, Glass Filled Flame Retardent Heat Stabilized, UL94V-0
Bracket	Brass, Tin Plated
Contacts	Copper Alloy, Silver or Gold Plated
Terminals	Brass, Silver or Gold Plated

Ordering Information

1. Series	SSP	1	T	R	R
SSP					
2. Number of Poles	1 = SPST, OFF - (ON) 2 = SPDT, ON - (ON)				
3. Actuator / Bushing	T = 5.6mm Actuator, Non-Threaded F = Flush Actuator, Non-Threaded				
4. Terminals	R = Standard SMT K = Straight SMT				
5. Contacts	Q = Silver Plated R = Gold Plated G = Gold over Silver Plated				
6. Cap Options	Cap Colors : See cap options for color availability C84_ C85_ C86_				

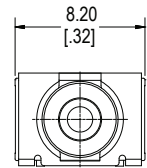
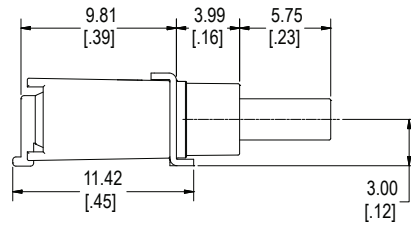
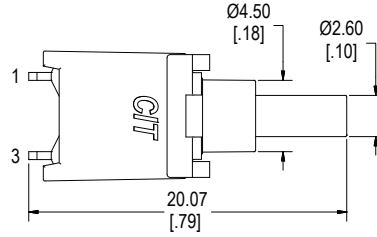
Switch Function



SPST



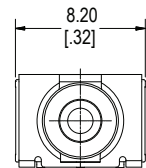
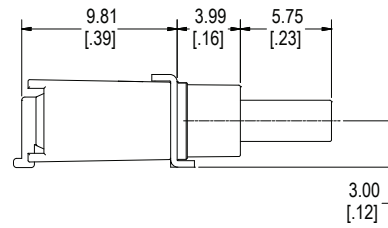
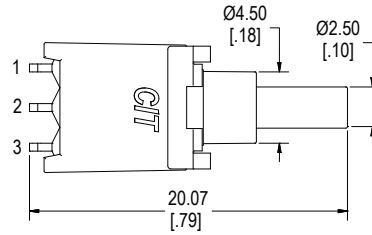
Function	Pushbutton Position	
0	OFF	(ON)
Terminals	-	1-3



SPDT

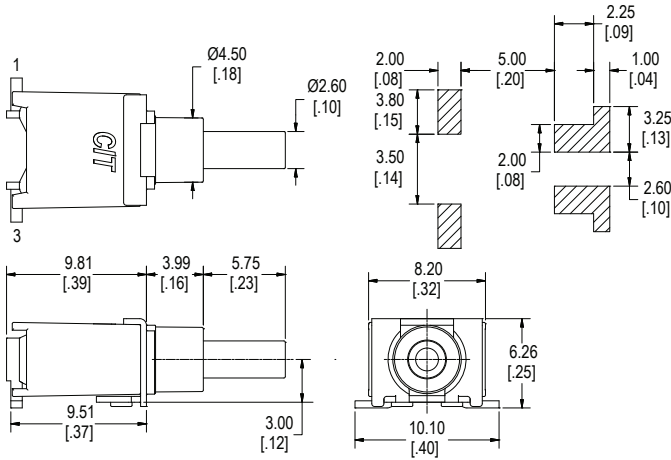


Function	Pushbutton Position	
1	ON	(ON)
Terminals	2-1	2-3

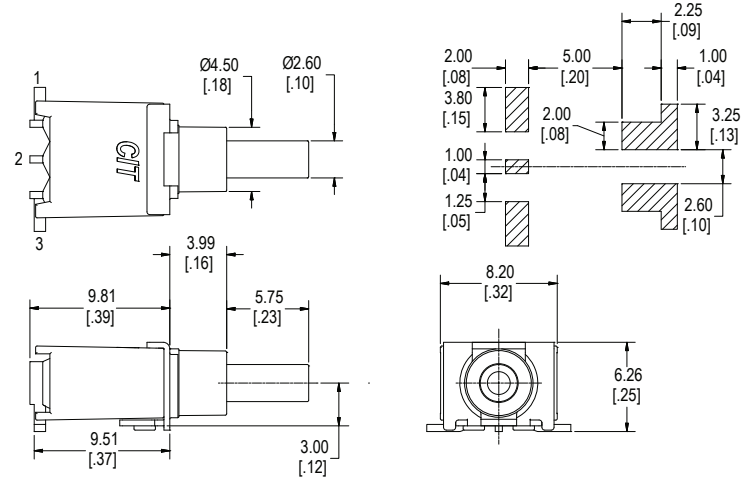


Terminal Options & PC Layouts

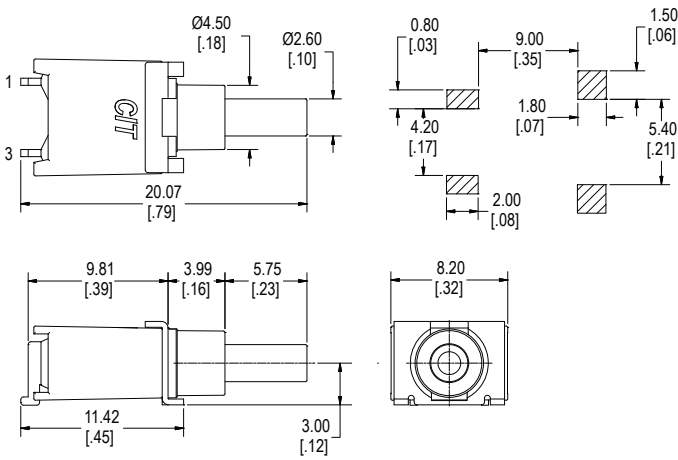
R, Single Pole Single Throw



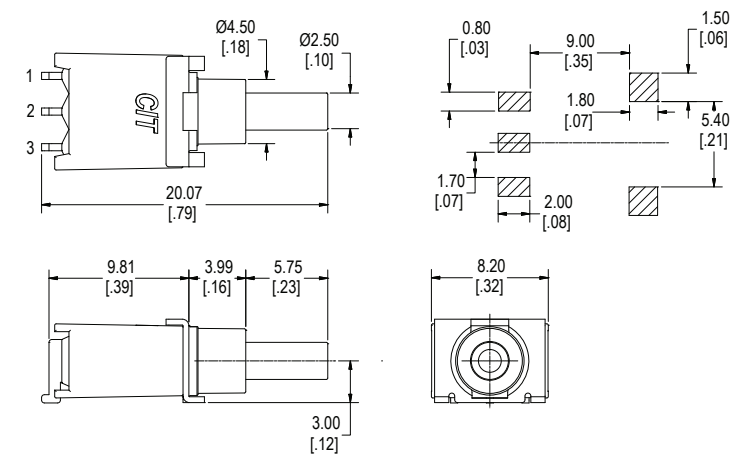
R, Single Pole Double Throw



K, Single Pole Single Throw



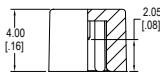
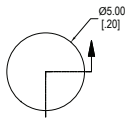
K, Single Pole Double Throw



Process Sealed Surface Mount Miniature Pushbutton

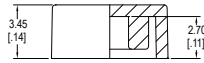
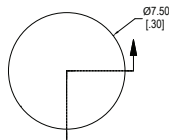
Cap Options Contact Factory for other available colors

C84_



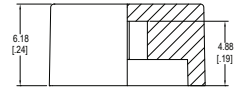
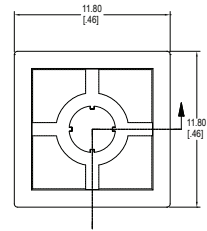
1 = White, 2 = Black, 3 = Red

C85_



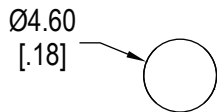
1 = White, 2 = Black, 3 = Red

C86_



1 = White, 2 = Black, 3 = Red

Panel Cut-Out



Contact Options

Designator	Contact Material	Terminal Material	Electrical Ratings
Q	Silver Plating	Silver Plating	1A @ 250VAC; 3A @ 120VAC general purpose
R	Gold over Nickel Plating	Gold over Nickel Plating	.4VA max @ 20VAC or VAC max
G	Gold over Silver Plating	Gold over Silver Plating	.4VA max @ 20VAC or VAC max or 1A @ 250VAC; 3A @ 120VAC general purpose